

THE DALEK

**BUILD
THE ICONIC
BBC**



MONSTER



**THE DALEK
EXECUTIONER!**



**STEP-BY-STEP
INSTRUCTIONS**

Published
weekly • £11.99
AUS • \$23.99

84 >



9 772977 557054

DALEK

ISSUE 84



ADVENTURES IN TIME AND SPACE: THE WAKING ALLY

3

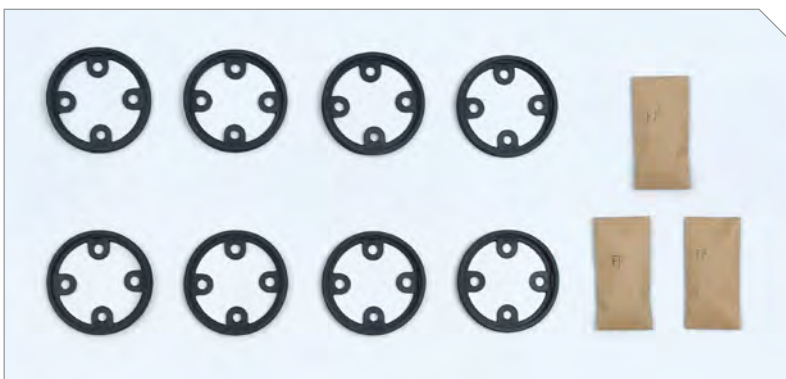
Time is running out before the Daleks destroy all life on Earth.



ANATOMY OF A DALEK: DALEK EXECUTIONER

6

The Dalek Executioners are the ultimate killing machines!



STEP-BY-STEP BUILD: PART 84

8

Eight silicone rings to be attached to the model's skirting panels.

Reader Services

CUSTOMER SERVICE IN THE UK
AND REPUBLIC OF IRELAND

How to continue your collection:

Subscribe online at hachettepartworks.com/Dalek or contact the Customer Service team via hachettepartworks.com/contact

Customer service & back orders:

Please visit hachettepartworks.com/contact to get in touch.

UK call 0345 155 9277

ROI call (01) 9079762

(Calls are charged at your local rate from a landline)

Published by Hachette Partworks Ltd
4th Floor, Jordan House, 47 Brunswick Place, London N1 6EB

General Manager – Isabelle Couderc
Editorial Director – Helen Nally
Marketing Director – Elise Windmill
Production Director – Sema Sant Anna
Managing Editor – Sarah Gale
Distribution Manager – Paul Smith
Product Manager – Rhys Myner

Packaged by Panini Publishing, a division of Panini UK Limited.

Publishing Director Europe – Marco M. Lupoi
Managing Director – Chris Clover
Managing Editor – Alan O'Keefe
Senior Editor – Karen O'Brien
Editor – John Ainsworth
Designer – Barry Spiers
Features Writer – Stuart Ashley

Distributed in the UK and Republic of Ireland by Marketforce.

© 2026 Hachette Partworks Ltd

Printed in the UK.

ISSN 2977-5574

ALL RIGHTS RESERVED

The editor's policy is to use papers that are natural, renewable and recyclable products and made from wood grown in sustainable forests. The logging and manufacturing processes are expected to conform to the environmental regulations of the country of origin.

In the event of a significant increase in production and transport costs, the publisher reserves the right to modify its selling prices.

BBC, DOCTOR WHO, TARDIS and DALEK (word marks and devices) are trade marks of the British Broadcasting Corporation and are used under licence. BBC logo © BBC 1996. DOCTOR WHO logo © BBC 1973. Dalek image © BBC/Terry Nation 1963. Licensed by BBC Studios.

The device complies with Part 15 of the FCC Rules. Operation is subject to the following two conditions: (1) this device may not cause harmful interference, and (2) this device must accept any interference received, including interference that may cause undesired operation.

All parts belong to a kit. NOT SUITABLE FOR CHILDREN UNDER THE AGE OF 14. This product is not a toy and is not intended for use in play. Follow the instructions in the enclosed magazines carefully and keep the appropriate information in a safe place. The installation of the electrical and electronic parts must always be carried out by an adult. Requires batteries.

BBC



For our environmental policy in full please scan the QR code here.

hachette
PARTWORKS LTD

THE WALKING ALLY

The purpose of the Dalek invasion is revealed, and all life on Earth is in peril.

Season 2 Episode 8
First Broadcast:
19 December 1964

Ian and Larry find their escape halted by a deep mineshaft in the ground. They try to go back, but the Slyther has cut off their retreat. "It's coming straight for us!" a terrified Larry shouts. The Slyther roars. Ian jumps onto a waste bucket hanging above the shaft and helps Larry aboard. The creature falls into the shaft. Ian and Larry are surprised when the waste bucket begins to descend. It happens too quickly for them to jump out.

The Doctor, Tyler, Susan, and David travel through London's sewers, chased by two Robomen. In a confrontation, they succeed in subduing their attackers. The party moves on, heading for Bedfordshire.

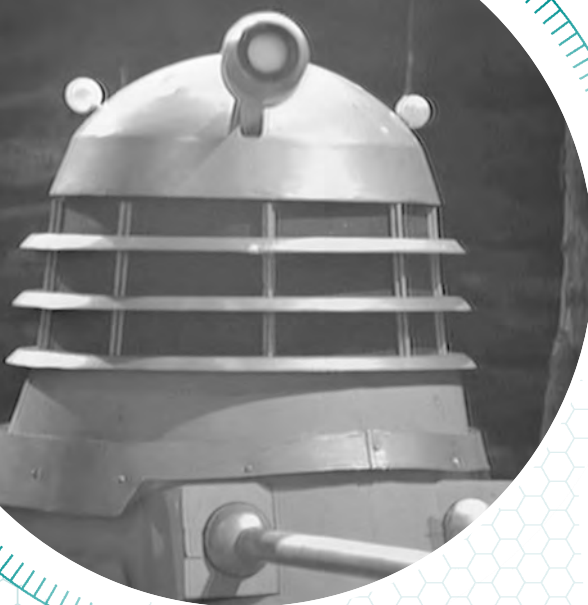
Barbara and Jenny have already reached Bedfordshire and are making their way through some woods. A storm begins to gather, and they seek shelter with an old woman and her daughter in a small cottage. They stare at Barbara and Jenny suspiciously. Jenny suggests they move on. "Dogs'll get you," the daughter says. "Dogs in the forest." The old woman says that the dogs are savage and now roam in packs. She adds that Barbara and Jenny are lucky not to have been found by a patrol. Jenny asks why the two women have been allowed to remain free. "We make clothes for the slave workers," the old woman replies. "We're more use to them doing that than we would be in the mine."



Barbara offers the old woman a tin of food, and in return, she offers them shelter for the night. As Barbara and Jenny prepare a bed, the old woman hands her daughter a bundle of clothing and whispers something to her. She leaves the cottage to deliver the clothing. Barbara and Jenny watch her leave, unsure of their situation.

Ian and Larry have been descending in the waste bucket for 20 minutes. It is getting warmer, and the air pressure is increasing. "I'd rather be dead than work down here," Larry says. The bucket stops and they can see lights below them. They climb out and jump to the ground. They find themselves in a series of mining tunnels with tracks for carts and other equipment. Larry injures his kneecap when he lands. Ian helps him to his feet, and they look for a hiding place.

Barbara and Jenny share a meal with the old woman. She talks about the time she went to London, but the conversation is cut short by the sudden return of her daughter. A Dalek appears behind her in the doorway. "You will follow me, both of



machinery from all over the world," he says. "All they seem to be shifting is rocks!" Larry reminds Ian of his brother Phil's theory: "All they want is the magnetic core of Earth." They hide as a work party led by Robomen arrives. The exhausted slaves gather up baskets. Wells, the worker who befriended Ian and Larry earlier, spots them. "You'll have to move, they're clearing this whole section," he whispers. Ian and Larry join the work party.



up behind her and teases her with a fish he has caught. The pair struggle with each other, laughing, and then kiss. They quickly separate as the Doctor and Tyler return to their camp. The Doctor smiles knowingly at Susan and David as they offer them some food. "I see something's cooking," he says.

you!" it commands. Barbara looks back at the two women who betrayed them, then leaves with Jenny and the Dalek. The daughter giggles and opens her bag to reveal what she has been given: "Bread and oranges and sugar!" The old woman looks out the window. "Oh well. She'd have been captured anyway," she mutters.

While Larry rests, Ian looks around the tunnels. He doesn't understand the lack of modern machinery. Larry is equally confused. "The Daleks brought

A flat, dead voice is heard: "Halt!" A Roboman steps out of the shadows. Larry is stunned. "Phil! It's my brother!" he gasps. "Too many in working party," Phil states. "Dalek Supreme Control, re-check." Larry tries to make Phil recognise him, with no success. "You are both runaways," Phil states, staring blankly ahead. Larry tries to revive Phil's memories. "Angela! Your wife, Angela!" he says. "I'll take you to her!" Phil pauses, as if something long dormant in his mind has begun to stir. But then the Dalek programming reasserts its control. "You must both be punished," Phil states as he unholsters his machine gun. "No, Ian," Larry says, his heart breaking. "Run while you've got the chance!" Larry struggles with Phil, and the gun fires. Both men are shot. "Larry..." Phil whispers as they die.

The Doctor surprises everyone by stating that the Bedfordshire mine is the centre of the Dalek operations. He thinks that the Daleks are digging into the Earth's crust for something that only this planet contains. Tyler wonders why the Daleks haven't caused volcanic eruptions or earthquakes, and the Doctor suggests that they know how to control the flow of the Earth's energies. David is stunned by



An alarm sounds. Wells and some other workers rush to hide the two bodies. Ian is left alone and decides to explore one of the tunnels.



Morning arrives, and the Doctor's party reaches Bedfordshire. Susan prepares a meal on an open fire. David sneaks

EARLY DRAFT



Terry Nation's initial draft for *The Waking Ally* had Ian hearing a very different description of the events leading up to the Dalek invasion. Robbie Madison (later renamed Larry) explained that China had been at war with both the United States and Russia, while Britain was on the brink of war with Europe. When the Daleks' plague bombs were dropped, the disease soon ended all the wars. A new world government was established in Japan. The Roboman who attacked Robbie was not his brother, but he still sacrificed his life to give Ian a chance to escape. Other changes made were the now-scrapped scenes in which the Doctor, Susan, and David are captured by a tribe of Subterraneans living beneath London.

THE COLLABORATORS





the concept. "They dare to tamper with the forces of creation?" he asks. "Yes, they dare," the Doctor replies. "And we have got to dare to stop them."

Ian hides from some Robomen herding more slaves. He is shocked to see Barbara among them. An exhausted Jenny drops a basket filled with rocks. "We're beaten, Barbara," she says. "We'll never get out of here." Barbara tries to keep her spirits up and suggests that they try to locate the Daleks' control room.

A Dalek orders Wells to carry some baskets to another section. He finds Ian hiding in the tunnel. Ian asks him to let Barbara know that he is there. Barbara remembers that she still has



Dortmun's notes for his acid bomb. She goes to a Dalek and offers "important information". Barbara says that a major revolution against the Daleks is being planned, led by scientists. She shows the Dalek the notes as proof. Barbara insists on speaking to someone in authority. "The Black Dalek will see you," the Dalek tells Barbara. "But if you are lying, you will be killed."

Wells returns from his task, but Barbara and Jenny have already left. Wells tells Ian to hide in an empty gallery.

The Black Dalek Supreme enters the control room and is told that the main drills have penetrated the quartz strata: the Daleks are now within four miles of the Earth's outer core. The human slaves are clearing the top of the fissure, and the only thing left to do is position the penetration explosive. It will strike the fissure in the Earth's crust, and the molten core will be released. "We will then control the flow until all the gravitational and magnetic forces in the Earth's core are eliminated," a Dalek engineer reports. "Excellent," the Black Dalek replies. "I will now announce to the Dalek Earth Force completion of Project Degravitate in two hours' time."

Ian finds himself in a room with a strange metal capsule that has been separated into two halves. He hides from a Dalek inside one of the halves. He and the Daleks hear the voice of the Black Dalek: "Our mission to Earth is nearly completed. We were sent here to remove the core of this planet. Once the core is removed, we can replace it with a



power system that will enable us to pilot the planet anywhere in the universe. All that remains is to put the penetration explosive into position."

Ian is struck by a chilling realisation of what his hiding place actually is. The two halves slide together, trapping him inside. "Arm the device. Set capsule in motion," the Black Dalek commands. The capsule moves towards the mouth of the fissure...carrying Ian helplessly towards the Earth's blazing core.



THE SLYTHER

Terry Nation described the women that offered shelter to Barbara and Saida (the character planned to be Susan's replacement) as "three old crones (right out of Act One, Scene One of *Macbeth*)". In his initial draft, the old women drugged Barbara and Saida's food, then took them to the Dalek base, where they were rewarded with new supplies. Director Richard Martin cast Jean Conroy, a friend from his days at Coventry's Belgrade Theatre Company, as the younger woman. Conroy was injured in a street accident less than a month after recording her role in *Doctor Who* and sadly died a day later.



Changes were made to the recap scene that followed the fourth episode, *The End of Tomorrow*. The waste bucket that Ian and Larry use in *The Waking Ally* had not been present in the previous episode. Also, the Slyther in the recap was a revised costume. It had been built by Shawcraft Models, the company responsible for many of *Doctor Who's* monsters. The Slyther was effectively a boiler suit with padded arms, with sponge and plastic added. It was judged to be ineffective in *The End of Tomorrow* and was subsequently rebuilt by Shawcraft for the following episode. The Slyther was never clearly seen, but a promotional photo of it was taken outside the Shawcraft workshop, reading a copy of the first *Dalek Book*.

DALEK EXECUTIONER

The Emperor Dalek decided to create a new rank during the formation of the Restoration Empire: the Executioner.

The sight of a Dalek Executioner is designed to instill fear in the minds of its enemies, and reinforce discipline within Dalek society. Each Executioner is fanatically loyal to the Emperor and is exceptionally ruthless even by Dalek standards.

While there have previously been Daleks designed for heavy assault roles (such as the Special Weapons Dalek used to retrieve the Hand of Omega on Earth in 1963), the Emperor believed that a specific rank devoted to nothing but total destruction would be a powerful propaganda tool. The Special Weapons Dalek had been a blunt instrument – a simple creature with little instinct beyond the desire to kill. The Dalek Executioners are more sophisticated creatures but have a similar devotion to bringing death. An Executioner Dalek is incapable of negotiation or persuasion, its entire purpose is to eliminate targets deemed hostile. The mantra “Daleks conquer and destroy!” has never been better demonstrated than by the Executioner.



1

The Executioner has a black dome, solar panels and hemispheres [1]. These signify its higher ranking among most Daleks. Its eyepiece glows red. It is equipped with an enhanced optical targeting system. It is said that an Executioner sees only victims, and this is only a slight exaggeration – any object perceived by an Executioner's eyestalk is automatically overlaid with targeting possibilities and available extermination protocols. The only exception to this rule is the Emperor. The Executioner is constantly considering and assessing new and efficient methods of killing any creature it encounters.

The hemispheres that line a typical Dalek's lower section are usually sensor devices. This is not the case for an Executioner – they are weapons designed for maximum devastation. Most are proximity bombs that can be fired at the Executioner's discretion. Some are

2

homing missiles that can lock onto aerial targets and pursue them at speeds of up to 1,000 mph, exploding on contact. Others can be used as landmines. They plant themselves beneath the ground and detonate if activated by a vibration from above.

Even the Executioner's manipulator arm is a lethal weapon [2]. Instead of the traditional 'plunger' attachment, the Executioner is equipped with a claw. It is capable of exerting 20,000 pounds of pressure, enabling the Executioner to crush titanium steel with ease. It can vary the pressure, applying it in minute degrees if desired. This

allows the Executioner to torture human subjects by applying slowly increasing pressure to their bones. The claw also has a hidden weapon at its centre: a Varga thorn. The deadly plant, native to Skaro, can swiftly transform most humanoids into a Varga plant with a single scratch. The target then becomes an aggressive weapon that can be used on other enemies.

It is the Executioner's task to maintain Dalek discipline within the ranks of the Restoration Empire. If a Dalek fails in its duty in any way, an Executioner is called upon to carry out its extermination. This is done in as public a manner as possible, with a live video feed streamed to every part of the Restoration Empire. The Executioner relishes these events.

When the Emperor sets its sights on a new world, the Strategist formulates a plan for conquest, and a Commander leads the invasion. As the fleets of Dalek Drones swarm out of the saucer ships, Dalek Executioners are always at the head of each division, paving the way with a wave of absolute destruction. They lead the war chant of "Exterminate!" and glory in the devastation they bring. Executioners are always placed on the front line, and rejoice in being the first Daleks to go into battle. Their brain processors are heavily focused on conquest and destruction, and are preprogrammed with successful attack strategies. Higher mental functions are replaced with back-ups of these core functions, allowing the Executioner to persevere even if mortally wounded.

Destroying an Executioner is an extremely difficult challenge – their casings are made from double-bonded polycarbide plating, giving them twice the protection of a standard Dalek. However, the extra weight of their armour reduces their speed when inside a planetary atmosphere.

The Dalek Executioner has an 'Ultimate Extermination' setting which it is programmed to use in the event of absolute defeat. If an Executioner is surrounded by enemies with no hope of escape or rescue, it can channel every scrap of power to its gunstick and expend its life in one final catastrophic blast of lethal energy. This results in a massive detonation that is the equivalent of a 100-kiloton nuclear blast, wiping out the enemy force. All Executioners secretly hope for such a death as they consider it the ultimate sacrifice for the Dalek Empire.

3

Executioners were at the front line of the invasion fleet when the Emperor led an assault on the Archive of Islos [3]. They also defended Skaro from the attack by the Entity released by the Archivians. Executioners were present at the battle with the Mechanoids and the Hond.

When a Time Squad was dispatched to investigate and prevent changes to the Daleks' own time stream, an Executioner was placed on board the Dalek Time Saucer. It was in charge of all Dalek assaults during their missions in the Dark Times. It was destroyed during a heated battle of wits with the Eighth Doctor.

BASE SECTION

OUTER PANELING

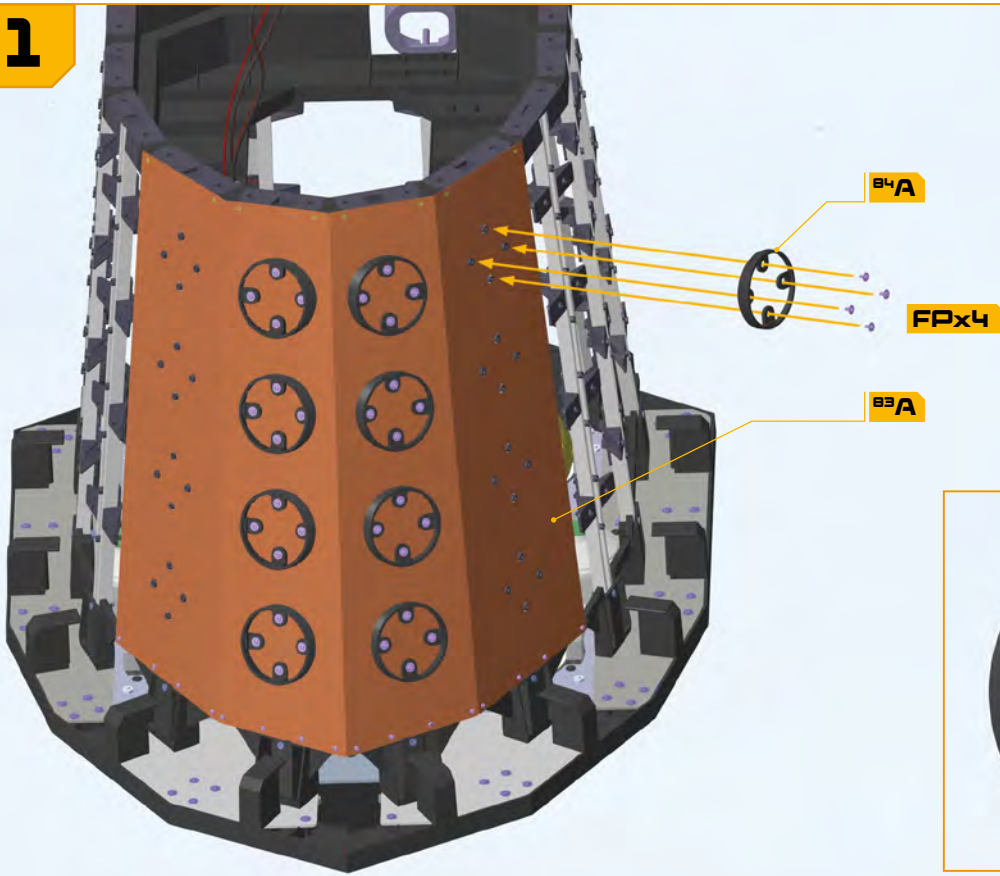


NOTE

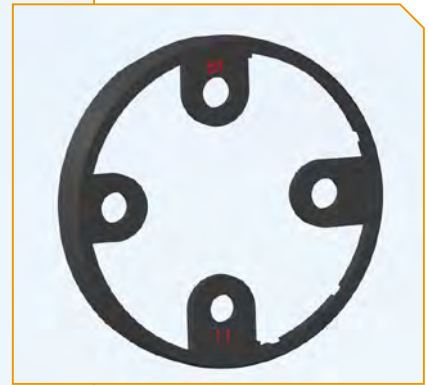
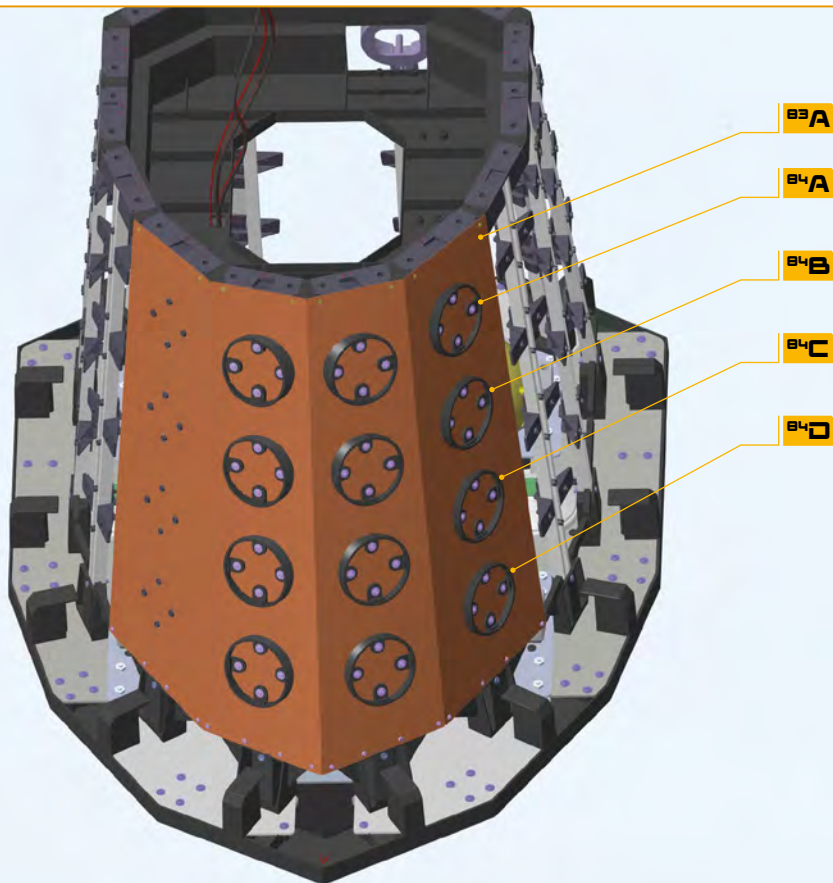
The silicone rings are marked on the *inside* (see step 1). They are deeper on one side than the other, and the difference is more marked on the top rings, and gradually changes according to the position on the model.

COMPONENTS OF ISSUE 84

B4A	SILICONE RING (B1 1-1)	B4D	SILICONE RING (B1 1-4)	B4G	SILICONE RING (B2 2-3)
B4B	SILICONE RING (B1 1-2)	B4E	SILICONE RING (B2 2-1)	B4H	SILICONE RING (B2 2-4)
B4C	SILICONE RING (B1 1-3)	B4F	SILICONE RING (B2 2-2)	FP	THREE PACKETS OF ELEVEN 2.6 X 4 PWB SCREWS (1 spare)

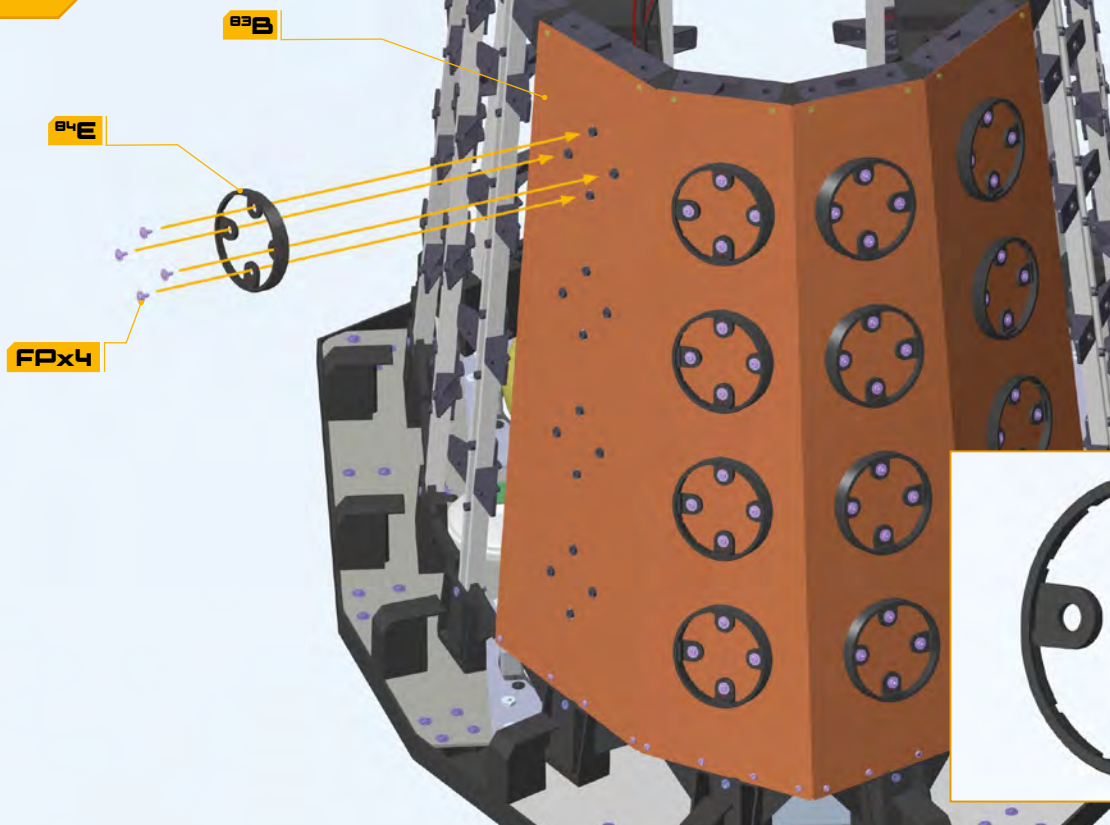
1**#84-01**

Take the ring **84A** (B1-1) and note the orientation: the top of the ring is marked B1 and the bottom is labelled 1-1 (inset). Positioning it with B1 at the top will ensure that the deeper side of the ring is towards the centre of the model. Fit the ring over the raised screw sockets on the top skirt holder, where they come through the panel **83A** (B1). Fix the ring in place with four **FP** screws.

**2****#84-02**

Similarly fit the silicone rings **84B**, **84C** and **84D** over the remaining sets of raised screw sockets. Again, the label B1 should be at the top. Fix each ring in place with four **FP** screws.

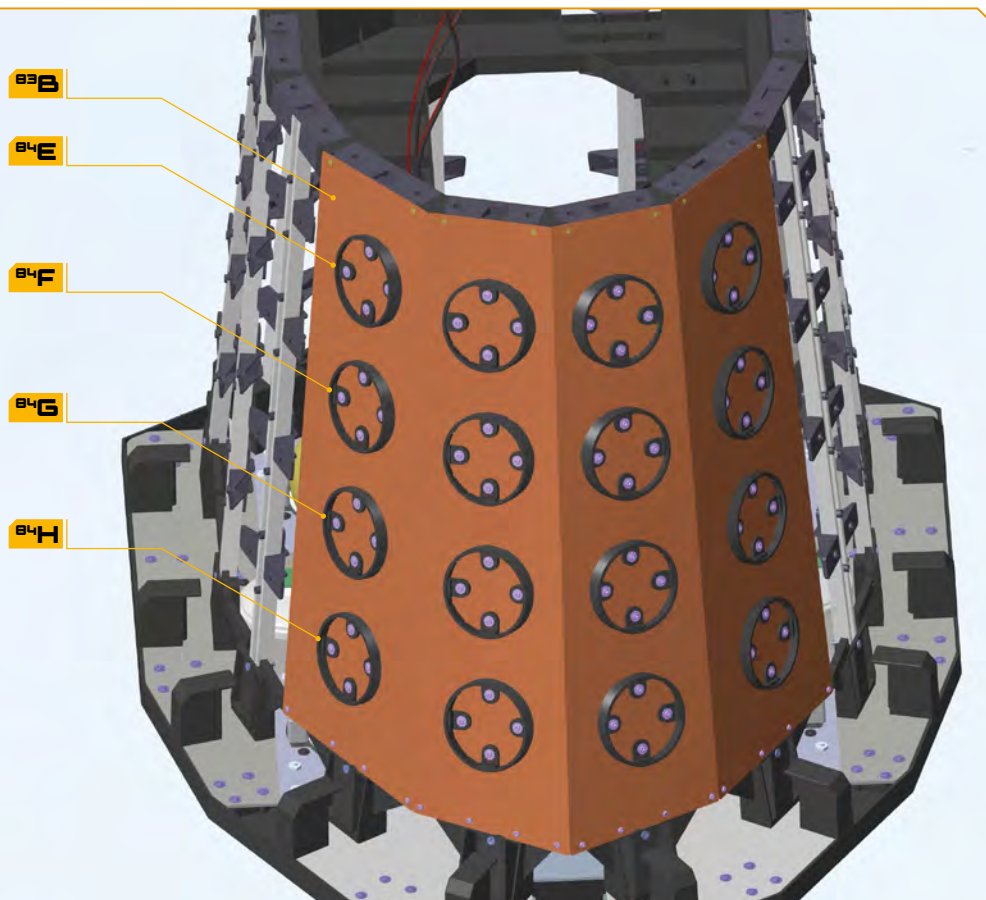
3



#84-03

Similarly, on the other side of the model, fit the ring **84E** (B2-1) over the raised screws on the top skirt holder, where they come through the panel **83B** (B2). Check that you have the ring in the correct orientation, with B2 at the top (inset). Fix the ring in place with four **FP** screws.

4

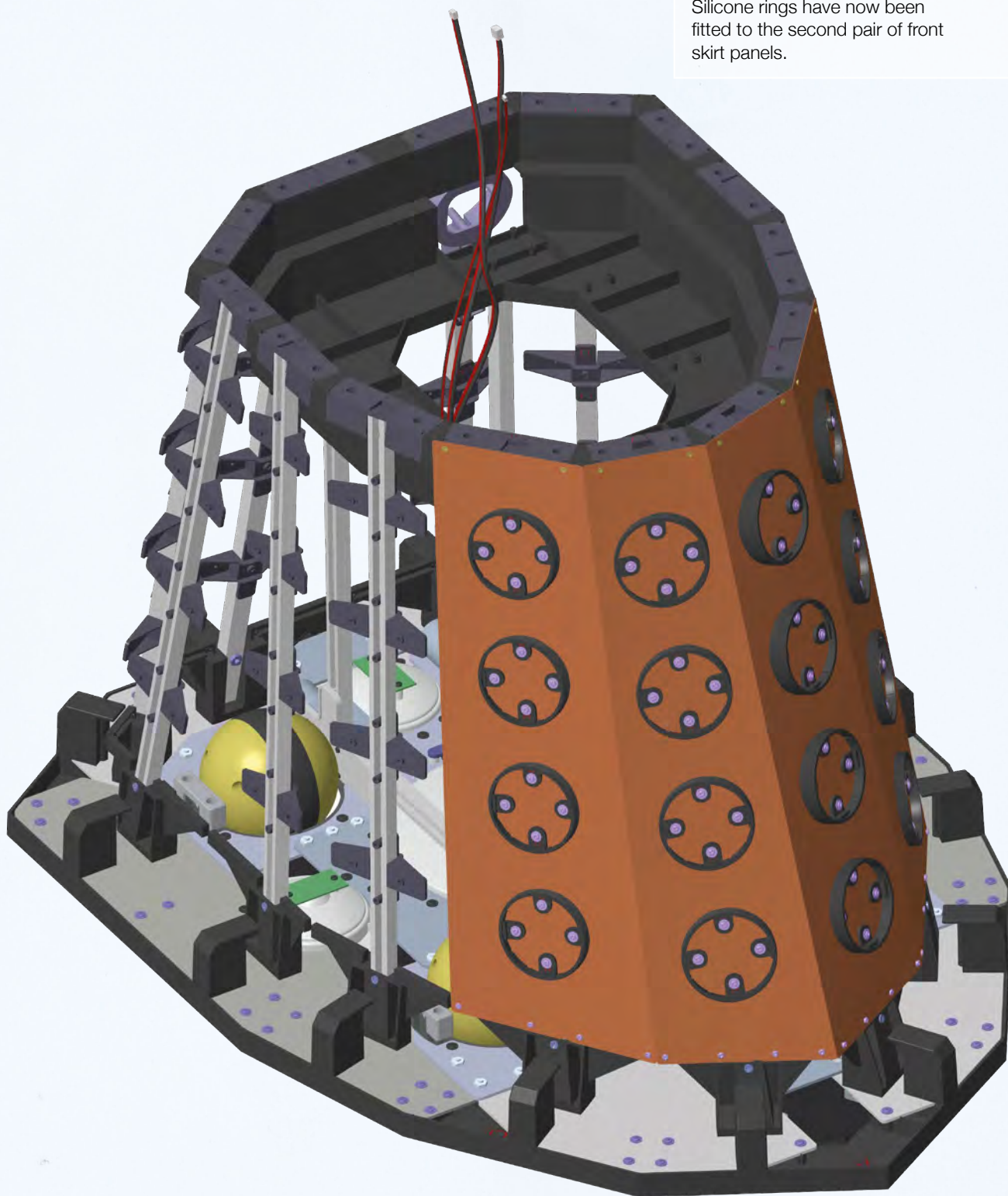


#84-04

Fit rings **84F**, **84G** and **84H** over the remaining three sets of raised screw sockets that come through the panel **83B** (B2), ensuring that the label B2 is at the top. Fix each ring in place with four **FP** screws.

#084 COMPLETED WORK

Silicone rings have now been fitted to the second pair of front skirt panels.



THE DALEK

COMING IN
ISSUE 85

BUILD PART 85

Continue working around the base of your Dalek model with two more skirt panel pieces.

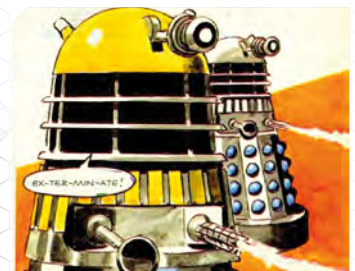


BEHIND THE SCENES



The Anti-Dalek Force fights the Daleks in the 1976 *Dalek Annual*.

ADVENTURES IN TIME AND SPACE



The Daleks capture a nuclear submarine in *Sub Zero*.

Every week at your newsagent! Visit hachettepartworks.com/Dalek